

Tiandy



TC-C35SS Spec: I5/E/A/2.8-12mm/TH

5MP Starlight Motorized IR Turret Camera (2.8-12mm)



KEY FEATURES

- Motorized Lens 2.8-12mm
- Up to 2592×1944@20fps
- S+265/H.265/H.264/M-JPEG
- Min. illumination Color: 0.002Lux@F1.6
- Smart IR, IR Range: 50m
- Support Video Analytics
- Support Human/Vehicle Classification
- Plugin Free
- Operating Conditions -35°~65°, 0~95% RH
- POE, IP66



Tiandy Technologies Co.,Ltd.

Email: sales@tiandy.com

Tel: +86-22-58596065

Website: en.tiandy.com

Fax: +86-22-58596048



SPECIFICATIONS

Camera	
Image Sensor	1/2.8" CMOS
Signal System	PAL/NTSC
Min. Illumination	Color: 0.002Lux@ (F1.6, ACG ON), B/W: 0Lux with IR
Shutter Time	1s to 1/100,000s
Day & Night	Dual IR Cut Filter with Auto Switch
Wide Dynamic Range	120dB
Angle Adjustment	pan 0~340°, tilt 0~75°, roate 0~360°
Lens	
Lens Type	Motorized
Focus	2.8-12mm
Lens Mount	Φ14
Aperture	F1.6~F3.3, Fixed
FOV	Horizontal field of view: 100.4°~26.8°
Illuminator	
IR LEDs	2
IR Range	Up to 50m
Wavelength	850nm
White LEDs	N/A
Compression Standard	
Video Compression	S+265/H.265/H.264/M-JPEG
Video Bit Rate	32Kbps~16Mbps
Audio Compression	G.711A/G.711U/ADPCM_D/AAC_LC
Audio Bit Rate	8K~48Kbps
Image	
Max. Resolution	2592x1944
Main Stream	PAL: 20fps (2592×1944), 25fps (2560×1920, 2592×1520, 2560×1440, 2048×1036, 1920×1080, 1280×960, 1280×720) NTSC: 20fps (2592×1944), 25fps (2560×1920), 30fps (2592×1520, 2560×1440, 2048×1036, 1920×1080, 1280×960, 1280×720)
Sub Stream	PAL: 25fps (704×576, 704×288, 640×360, 352×288) NTSC: 30fps (704×480, 704×240, 640×360, 352×240)
Third Stream	4CIF
Image Setting	Saturation, brightness, contrast, sharpness, adjustable by client software or web browser
Image Enhancement	BLC/3D DNR/HLC/Corridor Format
ROI	Support 7 fixed region of coding
OSD	16×16, 24×24, 32×32, 48×48, 64×64, 96×96, adaptable size, Letters Such as Week, Date, Time, Total 5 Regions
Picture Overlay	Yes
Privace Mask	Yes
Smart Defog	Yes
Feature	
Alarm Trigger	Event Input, Event Output, Motion Detection, Mask Alarm, Disk Full, Disk R/W Error, IP Address Conflict, MAC Address Conflict, FTP Server Exception
Video Analytics	Tripwire, Double Tripwire, Perimeter, Object Abandon, Object Lost, Loitering, Running, Parking, Crowded, Video Abnormal, Audio Abnormal, Heat Map



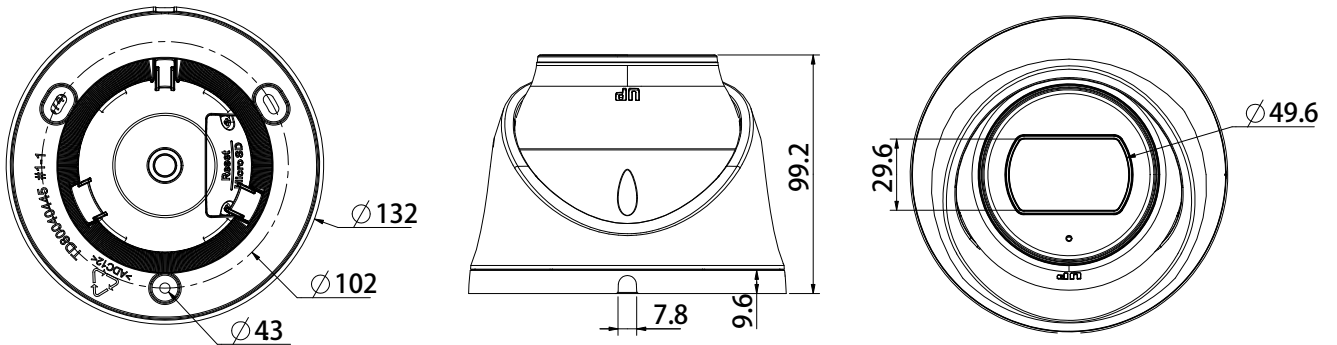
Early Warning(EW)	N/A
Intelligent Coding	N/A
Intelligent Image	N/A
Intelligent Alarm	N/A
Network	
ANR	Yes, auto store video in SD card when NVR disconnected, and upload video to NVR when resumed connection (Only Support Tiandy ANR NVR)
Protocols	TCP/IP, ICMP, HTTP, HTTPS, DHCP, DNS, DDNS, MULTICAST, UPnP, FTP, IPV4, NTP, RTSP, SMTP, IGMP, QoS, PPPoE, SNMP, IEEE802.1X, IPV6
System Compatibility	ONVIF (PROFILE S/T), SDK, CGI, P2P
Remote Connection	≤7
Client	Easy7, EasyLive
Web Version	Web6
Interface	
Communication Interface	1 RJ45 10M/ 100M self adaptive Ethernet port
Audio	1/1, Mic in
Alarm	2/1
Reset Button	Yes
On-board storage	Built-in MicroSD card slot, up to 128 GB
General	
Firmware Version	-
Web Client Language	15 languages English, Russian, Spanish, Korean, Italian, Turkish, Simple Chinese, Traditional Chinese, Thai, French, Polish, Dutch, Hebraism, Farsi, Arabic
Operating Conditions	-35°C ~ 65°C, 0 ~ 95% RH
Power Supply	DC12V±20%/PoE
Power Consumption	MAX: 8.5W(12V) MAX: 10W(POE)
Protection	IP66
Heater	N/A
Dimensions	Φ132×100 mm (Φ5.2*3.94 inch)
Weight	0.65Kg (1.43lb)

* Listed resolutions are only selectable options. It does not mean that all streams can work at their maximum resolution at the same time.

AVAILABLE MODEL

TC-C35SS SPEC: I5/E/A/2.8-12MM/TH

DIMENSIONS



Unit: mm

ACCESSORIES



TC-P548BM Spec: V1
Junction Box



A35
Corner Mount



A36
Pole Mount



811
Junction Box



A20
Pendant Mount



A21
Corner Pole Mount



A23
Mount Adapter



A28
Wall Mount

DISTRIBUTED BY



Tiandy Technologies Co.,Ltd.

Email: sales@tiandy.com
Website: en.tiandy.com

Tel: +86-22-58596065
Fax: +86-22-58596048