

Tiandy



TC-C35XS Spec: I3/E/Y/(M)/2.8mm

5MP Fixed Starlight IR Turret Camera

Lite Series



KEY FEATURES

- Default: Metal+Plastic, M: Metal Housing
- Up to 2592x1944@20fps
- S+265/H.265/H.264
- Min. illumination Color: 0.002Lux@F1.6
- 120dB WDR
- Smart IR, IR Range: 30m
- Support tripwire and perimeter
- Built-in Mic, SD Card Slot, Reset Button
- Operating Conditions -35°~65°, 0~95% RH
- POE, IP67



Tiandy Technologies Co.,Ltd.

Email: sales@tiandy.com
Website: en.tiandy.com

Tel: +86-22-58596178
Fax: +86-22-58596048



SPECIFICATIONS

| Camera | |
|-----------------------|--|
| Image Sensor | 1/2.8" CMOS |
| Signal System | PAL/NTSC |
| Min. Illumination | Color: 0.002Lux@ (F1.6, ACG ON), B/W: 0Lux with IR |
| Shutter Time | 1s to 1/100,000s |
| Day & Night | Dual IR Cut Filter with Auto Switch |
| Wide Dynamic Range | 120dB |
| Angle Adjustment | pan 0~340°, tilt 0~75°, roate 0~360° |
| Lens | |
| Lens Type | Fixed |
| Focus | 2.8mm |
| Lens Mount | M12 |
| Aperture | F1.6, Fixed |
| FOV | Horizontal field of view: 97.8° |
| Illuminator | |
| IR LEDs | 2 |
| IR Range | Up to 30m |
| Wavelength | 850nm |
| White LEDs/Warmlights | N/A |
| Compression Standard | |
| Video Compression | S+265/H.265/H.264 |
| Video Bit Rate | 32Kbps~6Mbps |
| Audio Compression | G.711/G.711U/ADPCM |
| Audio Bit Rate | 8K~48Kbps |
| Image | |
| Max. Resolution | 2592x1944 |
| Main Stream | PAL: 20fps (2592x1944), 25fps (2592x1520, 2560x1440, 2304x1296, 1920x1080, 1280x720) NTSC: 20fps (2592x1944), 25fps (2592x1520, 2560x1440), 30fps (2304x1296, 1920x1080,1280x720) |
| Sub Stream | PAL: 25fps (704x576, 704x288, 640x360, 352x288) NTSC: 30fps (704x480, 704x240, 640x360, 352x240) |
| Third Stream | N/A |
| Image Setting | Saturation, brightness, contrast, sharpness, adjustable by client software or web browser |
| Image Enhancement | BLC/3D DNR/HLC |
| ROI | N/A |
| OSD | 16x16, 32x32, 48x48, 64x64, adaptable size, Letters Such as Week, Date, Time, Total 3 Regions |
| Picture Overlay | N/A |
| Privacy Mask | Yes, 4 regions |
| Smart Defog | Yes |
| Feature | |
| Alarm Trigger | Motion Detection, Mask Alarm, IP Address Conflict |
| Video Analytics | Tripwire, Perimeter |
| Early Warning(EW) | N/A |



| Network | |
|--------------------------------|---|
| ANR | Yes, auto store video in SD card when NVR disconnected, and upload video to NVR when resumed connection (Only Support Tiandy ANR NVR) |
| Protocols | TCP/IP, HTTP, FTP, DHCP, DNS, DDNS, MULTICAST, IPV4, NTP, UDP, Telnet |
| System Compatibility | ONVIF (PROFILE S/T/G), SDK, CGI (IE), P2P(Mutually exclusive with Profile G) |
| Remote Connection | ≤7 |
| Client | Easy7, EasyLive |
| Web Version | Web5 |
| Interface | |
| Communication Interface | 1 RJ45 10M/ 100M self adaptive Ethernet port |
| Audio I/O | Mic in |
| Alarm I/O | N/A |
| Reset Button | Yes |
| On-board storage | Built-in MicroSD card slot, up to 512 GB |
| General | |
| Firmware Version | - |
| Web Client Language | 15 languages English, Russian, Spanish, Korean, Italian, Turkish, Simple Chinese, Traditional Chinese, Thai, French, Polish, Dutch, Hebraism, Arabic, Vietnamese |
| Operating Conditions | -35°C ~ 65°C, 0 ~ 95% RH |
| Power Supply | DC 12V±25%, PoE (802.3af) |
| Power Consumption | MAX: 6W (12V) MAX: 7W (PoE) |
| Protection | IP67, Lightning protection, surge protection and voltage transient protection meets EN 55035:2017 |
| Heater | N/A |
| Dimensions | Φ116.6×83.7mm (Φ4.59×3.30inch) |
| Weight | Metal+Plastic: 0.34Kg (0.75lb) Metal: 0.47Kg (1.04lb) |

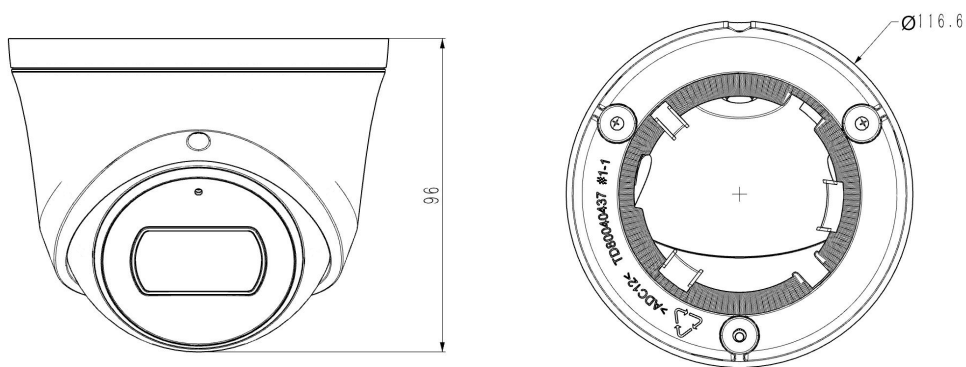
* Listed resolutions are only selectable options. It does not mean that all streams can work at their maximum resolution at the same time.

AVAILABLE MODEL

TC-C35XS SPEC: I3/E/Y/2.8MM

TC-C35XS SPEC: I3/E/Y/M/2.8MM

DIMENSIONS



ACCESSORIES



A29
A29 WALL MOUNT



TC-P54BM SPEC: V5
JUNCTION BOX



A36
POLE MOUNT



A35
CORNER MOUNT

DISTRIBUTED BY



Tiandy Technologies Co.,Ltd.

Email: sales@tiandy.com
Website: en.tiandy.com

Tel: +86-22-58596178
Fax: +86-22-58596048