

# Tiandy



TC-C38XS Spec: I3/E/Y/M/H/2.8mm

# 8MP Starlight IR Turret Camera

Pro Series



## KEY FEATURES

- Full Metal Housing
- Up to 3840x2160@20fps
- S+265/H.265/H.264/M-JPEG
- Min. illumination Color: 0.01Lux@F1.6
- Smart IR, IR Range: 30m
- Support Video Analytics
- Support Human/Vehicle Classification
- Support Face Capture Mode
- Built-in Mic, audio I/O 1/1, alarm I/O 1/1
- Plugin Free
- Operating Conditions -40°C~65°C, 0~95% RH
- POE, IP67



**Tiandy Technologies Co.,Ltd.**

Email: [sales@tiandy.com](mailto:sales@tiandy.com)

Tel: +86-22-58596178

Website: [en.tiandy.com](http://en.tiandy.com)

Fax: +86-22-58596048



## SPECIFICATIONS

| Camera               |   |
|----------------------|---|
| Image Sensor         | 1/2.8" CMOS   |
| Signal System        | PAL/NTSC  |
| Min. Illumination    | Color: 0.01Lux@ (F1.6, ACG ON), B/W: 0Lux with IR   |
| Shutter Time         | 1s to 1/100,000s  |
| Day & Night          | Dual IR Cut Filter with Auto Switch   |
| Wide Dynamic Range   | 120dB   |
| Angle Adjustment     | pan 0~340°, tilt 0~75°, roate 0~360°  |
| Lens                 |   |
| Lens Type            | Fixed   |
| Focus                | 2.8mm   |
| Lens Mount           | M12   |
| Aperture             | F1.6, Fixed   |
| FOV                  | Horizontal field of view: 96°   |
| Illuminator          |   |
| IR LEDs              | 2   |
| IR Range             | Up to 30m   |
| Wavelength           | 850nm   |
| White/Warmlight LEDs | N/A   |
| Compression Standard |   |
| Video Compression    | S+265/H.265/H.264/M-JPEG  |
| Video Bit Rate       | 32Kbps~16Mbps   |
| Audio Compression    | G.711A/G.711U/ADPCM/AAC   |
| Audio Bit Rate       | 8K~48Kbps   |
| Image                |   |
| Max. Resolution      | 3840×2160   |
| Main Stream          | PAL: 20fps (3840×2160, 3072x2048), 25fps (2560×1440, 2304×1296, 1920×1080, 1280×720)<br>NTSC: 20fps (3840×2160, 3072x2048), 30fps (2560×1440, 2304×1296, 1920×1080, 1280×720)   |
| Sub Stream           | PAL: 25fps (704×576, 704×288, 640×480, 352×288)<br>NTSC: 30fps (704×480, 704×240, 640×480, 352×240)   |
| Third Stream         | PAL: 25fps(1280×720, 704×576, 704×288, 640×360, 352×288)<br>NTSC: 30fps(1280×720, 704×480, 704×240, 640×360, 352×240)   |
| Image Setting        | Saturation, brightness, contrast, sharpness, adjustable by client software or web browser   |
| Image Enhancement    | BLC/3D DNR/HLC/Corridor Format  |
| ROI                  | Support 8 fixed regions of coding   |
| OSD                  | 16×16, 24×24, 32×32, 48×48, 64×64, 96×96, adaptable size, Letters Such as Week, Date, Time, Total 8 Regions   |
| Picture Overlay      | Yes   |
| Privacy Mask         | Yes, 8 regions  |
| Smart Defog          | Yes   |
| Feature              |   |
| Alarm Trigger        | Event Input, Event Output, Motion Detection, Mask Alarm, Disk Full, Disk R/W Error, IP Address Conflict, MAC Address Conflict, FTP Server Exception   |
| Video Analytics      | Tripwire, Double Tripwire, Perimeter, Object Abandon, Object Lost, Loitering, Running, Parking, Crowded, People Counting, On Duty Detection, Video Abnormal, Audio Abnormal, Heatmap, Face Capture(Face Detection), Safety Helmet Detection, Human/Vehicle Classification |
| Early Warning(EW)    | N/A   |



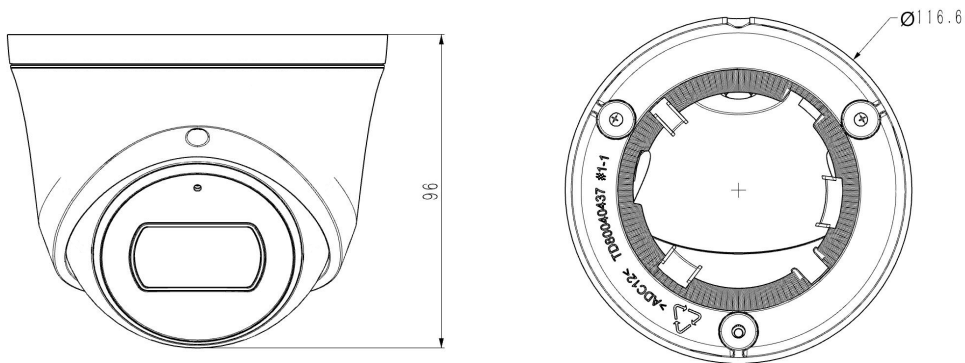
| Network                 |   |
|-------------------------|---|
| ANR                     | Yes, auto store video in SD card when NVR disconnected, and upload video to NVR when resumed connection (Only Support Tiandy ANR NVR)   |
| Protocols               | TCP/IP, ICMP, HTTP, HTTPS, DHCP, DNS, DDNS, RTP, RTSP, RTCP, PPPoE, MULTICAST, UPnP, FTP, IPV4, NTP, SMTP, IGMP, 802.1x, QoS, IPV6, ARP, UDP, SNMP, SSL, SIP, Telnet, SNTP, RTMP, SFTP, NFS |
| System Compatibility    | ONVIF (PROFILE S/T/G), SDK, Milestone, CGI, P2P   |
| Remote Connection       | ≤7  |
| Client                  | Easy7, EasyLive   |
| Web Version             | Web6  |
| Interface               |   |
| Communication Interface | 1 RJ45 10M/ 100M self adaptive Ethernet port  |
| Audio                   | 1/1, Mic in   |
| Alarm                   | 1/1   |
| Reset Button            | Yes   |
| On-board storage        | Built-in Micro SD card slot, up to 512 GB   |
| General                 |   |
| Firmware Version        | -   |
| Web Client Language     | 15 languages<br>English, Russian, Spanish, Korean, Italian, Turkish, Simple Chinese, Traditional Chinese, Thai, French, Polish, Dutch, Hebraism, Arabic, Vietnamese                         |
| Operating Conditions    | -40°C ~ 65°C, 0 ~ 95% RH  |
| Power Supply            | DC12V±25%/PoE   |
| Power Consumption       | MAX: 6W (12V) MAX: 7W (PoE)   |
| Protection              | IP67, Lightning protection, surge protection and voltage transient protection meets EN 55035:2017   |
| Heater                  | N/A   |
| Dimensions              | Φ116.6×83.7mm (Φ4.59×3.30inch)  |
| Weight                  | 0.50Kg (1.10lb)   |

\* Listed resolutions are only selectable options. It does not mean that all streams can work at their maximum resolution at the same time.

## AVAILABLE MODEL

### TC-C38XS SPEC: I3/E/Y/M/H/2.8MM

## DIMENSIONS



## ACCESSORIES



A29  
A29 WALL MOUNT



TC-P54BM SPEC: V5  
JUNCTION BOX



A36  
POLE MOUNT



A35  
CORNER MOUNT

DISTRIBUTED BY



**Tiandy Technologies Co.,Ltd.**

Email: [sales@tiandy.com](mailto:sales@tiandy.com)  
Website: [en.tiandy.com](http://en.tiandy.com)

Tel: +86-22-58596178  
Fax: +86-22-58596048