

# Tiandy



TC-H326S Spec: 33X/I/E/A

# 2MP 33× Starlight IR POE PTZ Camera



Pro Series

## KEY FEATURES

- Up to 1920X1080@60fps
- Min. illumination Color: 0.002Lux@F1.5
- Optical zoom: 33×, digital zoom 16×
- Smart IR, IR Range: 150m
- S+265/H.265/H.264/M-JPEG
- IP66



**Tiandy Technologies Co.,Ltd.**

Email: [sales@tiandy.com](mailto:sales@tiandy.com)

Tel: +86-22-58596065

Website: [en.tiandy.com](http://en.tiandy.com)

Fax: +86-22-58596048

## SPECIFICATIONS

Camera	
Image Sensor	1/2.8" CMOS
Signal System	PAL/NTSC
Min. Illumination	Color: 0.002lux@ (F1.5, ACG ON), BW: 0lux with IR
Shutter Time	1s to 1/100,000s
Day & Night	Dual IR Cut Filter
Wide Dynamic Range	140dB
Optical Zoom	33×
Digital Zoom	16×
Lens	
Focal Length	4.6mm~152mm
Zoom Speed	<5s
Angle of View	Horizontal filed of view: 60.5° (w)~2.3° (t)
Aperture Range	F1.5~F4.0
Pan&Tilt	
Pan Range	360°
Pan Speed	Pan Manual Speed: 0.1°~180°/s, Pan Preset Speed: 240°/s
Tilt Range	-16°~90° (Auto flip)
Tilt Speed	Tilt Manual Speed: 0.1°~120°/s, Tilt Preset Speed: 180°/s
3D Position	Yes
Presets	500
Preset Accuracy	±0.4°
Scan	8
Cruise	16, up to 32 presets per cruise
Pattern	8, each with 600s memory or 1000 orders
Power-off Memory	Yes
RS-485 Protocols	N/A
Illuminator	
IR LEDs	4
IR Range	Up to 150m
IR Irradiation Angle	Adjustable by Zoom
White LEDs	N/A
Compression Standard	
Video Compression	S+265/H.265/H.264/M-JPEG
Video Bit Rate	32 Kbps to 16 Mbps
Audio Compression	G.711A/G.711U/ADPCM/AAC
Audio Bit Rate	8K~48Kbps
Image	
Max. Resolution	1920×1080
Main Stream	PAL: 50fps (1920×1080, 1280×960, 1280×720)
	NTSC: 60fps (1920×1080, 1280×960, 1280×720)
Sub Stream	PAL: 25fps (704×576, 704×288, 640×360, 352×288)
	NTSC: 30fps (704×480, 704×240, 640×360, 352×240)
Third Stream	PAL: 25fps (1920×1080, 1280×960, 1280×720, 640×480, 704×576, 704×288, 352×288)
	NTSC: 30fps (1920×1080, 1280×960, 1280×720, 640×480, 704×480, 704×240, 352×240)
Image Setting	Saturation, brightness, contrast, sharpness, adjustable by client software or web browser
Image Enhancement	BLC/3D DNR/HLC
ROI	7 Dynamic Areas for Both Main and Sub Stream, support auto-tracking ROI
OSD	16×16, 24×24, 32×32, 48×48, 64×64, 96×96, adaptable size, Letters Such as Week, Date, Time, Total 5 Regions

# Tiandy

Picture Overlay	Yes
Privacy Mask	Yes
Smart Defog	Yes
<b>Feature</b>	
Alarm Trigger	Harsh Voice Alarm, Motion Detection, Mask Alarm, Port Alarm, Network Disable Alarm, IP Conflict, MAC Conflict Detection
Video Analytics	Tripwire, Double Tripwire, Perimeter, Object Abandon, Object Lost, Loitering, Running, Parking, Video Abnormal, Audio Abnormal, Heatmap
Early Warning(EW)	N/A
Auto-Tracking	Yes
<b>Network</b>	
Protocols	TCP/IP, ICMP, HTTP, HTTPS, DHCP, DNS, DDNS, MULTICAST, UPnP, FTP, IPV4, NTP, RTSP, SMTP, IGMP, QoS, PPPoE
System Compatibility	ONVIF (PROFILE S), SDK, CGI, P2P
ANR	Auto store video in SD card when NVR disconnected, and upload video to NVR when resumed connection (Only Support Tiandy ANR NVR)
Remote Connection	≤7
Client	Easy7, EasyLive
Web Version	Web5
<b>Interface</b>	
Communication Interface	1 RJ45 10M/100M self adaptive Ethernet port
Audio	1/1
Alarm	1/1
Reset Button	Yes
On-board storage	Built-in MicroSD card slot, up to 128 GB
RS-485	N/A
BNC	N/A
<b>General</b>	
Firmware Version	NVSS_V14.0.6.20190528
Web Client Language	11 languages English, Russian, Spanish, Korean, Italian, Turkish, Simple Chinese, Traditional Chinese, Thai, French, Polish
Operating Conditions	-30°~65°C, 0-95% RH
Power Supply	AC24V±15%/POE+
Power Consumption	21W (IR OFF), 26W (IR ON)
Protection	IP66
Heater	N/A
Dimensions	Φ222x372 mm (Φ8.74×14.65 inch)
Weight	5kg (11.02lb)

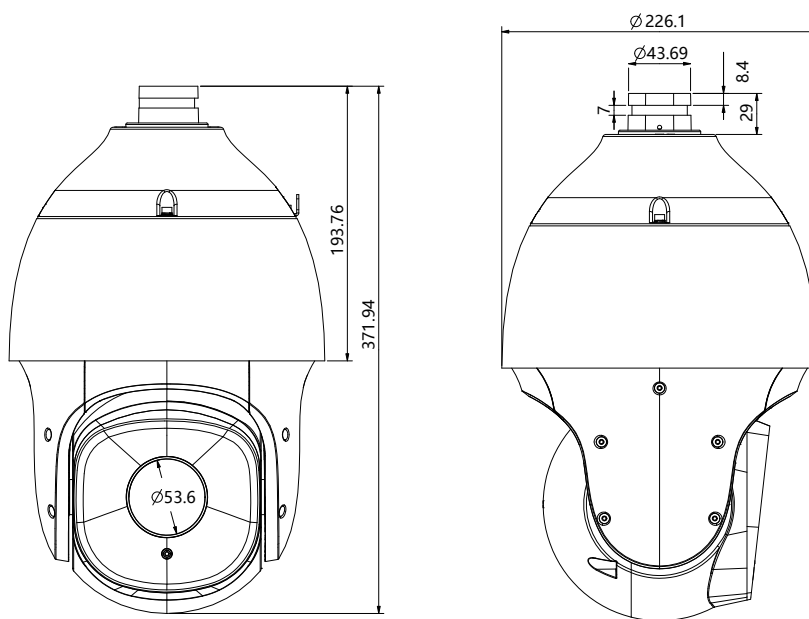
\* Listed resolutions are only selectable options. It does not mean that all streams can work at their maximum resolution at the same time.

## AVAILABLE MODEL

## TC-H326S SPEC: 33X/I/E/A

# Tiandy

## DIMENSIONS (Unit: mm)



## ACCESSORIES

### INCLUDED



DF20Y  
Wall Mount

### OPTIONAL



A37  
Installation Adapter



A38  
Ceiling Mount



DF21Y  
Pendant Mount



A36  
Pole Mount



A35  
Corner Mount



811  
Junction Box

DISTRIBUTED BY



Tiandy Technologies Co.,Ltd.

Email: sales@tiandy.com

Tel: +86-22-58596065

Website: en.tiandy.com

Fax: +86-22-58596048