

# Tiandy



TC-C32TS Spec: I5/A/E/2.8-12mm

# 2MP Starlight Motorized IR Bullet Camera (2.8-12mm)

Pro Series



## KEY FEATURES

- Motorized Lens 2.8-12mm
- Up to 1920x1080@30fps
- S+265/H.265/H.264/M-JPEG
- Min. illumination Color: 0.001Lux@F1.4
- Smart IR, IR Range: 50m
- Support Video Analytics
- Plugin Free
- Operating Conditions -35°~65°, 0~95% RH
- POE, IP67



**Tiandy Technologies Co.,Ltd.**

Email: [sales@tiandy.com](mailto:sales@tiandy.com)

Tel: +86-22-58596065

Website: [en.tiandy.com](http://en.tiandy.com)

Fax: +86-22-58596048



## SPECIFICATIONS

Camera	
Image Sensor	1/2.8" CMOS
Signal System	PAL/NTSC
Min. Illumination	Color: 0.001Lux@ (F1.4, ACG ON), B/W: 0Lux with IR
Shutter Time	1s to 1/100,000s
Day & Night	Dual IR Cut Filter with Auto Switch
Wide Dynamic Range	120dB
Angle Adjustment	Bracket, pan 0~360°, tilt 0~75°, roate 0~360°
Lens	
Lens Type	Motorized
Focus	2.8-12mm
Lens Mount	Φ14
Aperture	F1.4~F2.8, Motorized
FOV	Horizontal field of view: 83°~33.7°
Illuminator	
IR LEDs	55
IR Range	Up to 50m
Wavelength	850nm
White LEDs	N/A
Compression Standard	
Video Compression	S+265/H.265/H.264/M-JPEG
Video Bit Rate	32Kbps~6Mbps
Audio Compression	G.711/G.711U/ADPCM
Audio Bit Rate	8K~48Kbps
Image	
Max. Resolution	1920x1080
Main Stream	PAL: 25fps (1920×1080, 1280×960, 1280×720, 704×576, 640×480)
	NTSC: 30fps (1920×1080, 1280×960, 1280×720, 704×480, 640×480)
Sub Stream	PAL: 25fps (704×576, 704×288, 640×360, 352×288)
	NTSC: 30fps (704×480, 704×240, 640×360, 352×240)
Third Stream	N/A
Image Setting	Saturation, brightness, contrast, sharpness, adjustable by client software or web browser
Image Enhancement	BLC/3D DNR/HLC
ROI	N/A
OSD	16×16,32×32, 48×48, 64x64, adaptable size, Letters Such as Week, Date, Time, Total 1 Regions
Picture Overlay	Yes
Privace Mask	Yes
Smart Defog	Yes
Feature	
Alarm Trigger	Event Input, Event Output, Motion Detection, Mask Alarm, IP Address Conflict, MAC Address Conflict



<b>Video Analytics</b>	Tripwire, Double Tripwire, Perimeter, Object Abandon, Object Lost, Loitering, Running, Parking, Video Abnormal, Audio Abnormal
<b>Early Warning(EW)</b>	N/A
<b>Intelligent Coding</b>	Yes
<b>Intelligent Image</b>	Yes
<b>Intelligent Alarm</b>	Yes
<b>Network</b>	
<b>ANR</b>	Yes, auto store video in SD card when NVR disconnected, and upload video to NVR when resumed connection (Only Support Tiandy ANR NVR)
<b>Protocols</b>	TCP/IP, ICMP, HTTP, HTTPS, DHCP, DNS, DDNS, MULTICAST, UPnP, FTP, IPV4, NTP, RTSP, SMTP, IGMP, 802.1x, QoS, Multicast
<b>System Compatibility</b>	ONVIF (PROFILE S), SDK, CGI, P2P
<b>Remote Connection</b>	≤7
<b>Client</b>	Easy7, EasyLive
<b>Web Version</b>	Web6
<b>Interface</b>	
<b>Communication Interface</b>	1 RJ45 10M/ 100M self adaptive Ethernet port
<b>Audio</b>	1/1
<b>Alarm</b>	2/1
<b>Reset Button</b>	Yes
<b>On-board storage</b>	Built-in MicroSD card slot, up to 256 GB
<b>General</b>	
<b>Firmware Version</b>	-
<b>Web Client Language</b>	15 languages English, Russian, Spanish, Korean, Italian, Turkish, Simple Chinese, Traditional Chinese, Thai, French, Polish, Dutch, Hebraism, Farsi, Arabic
<b>Operating Conditions</b>	-35°C ~ 65°C, 0 ~ 95% RH
<b>Power Supply</b>	DC12V±20%/PoE
<b>Power Consumption</b>	MAX: 8.5W(12V) MAX: 10W(POE)
<b>Protection</b>	IP67
<b>Heater</b>	N/A
<b>Dimensions</b>	338× Φ108 mm (13.31*Φ4.25 inch)
<b>Weight</b>	1.25Kg (2.76)

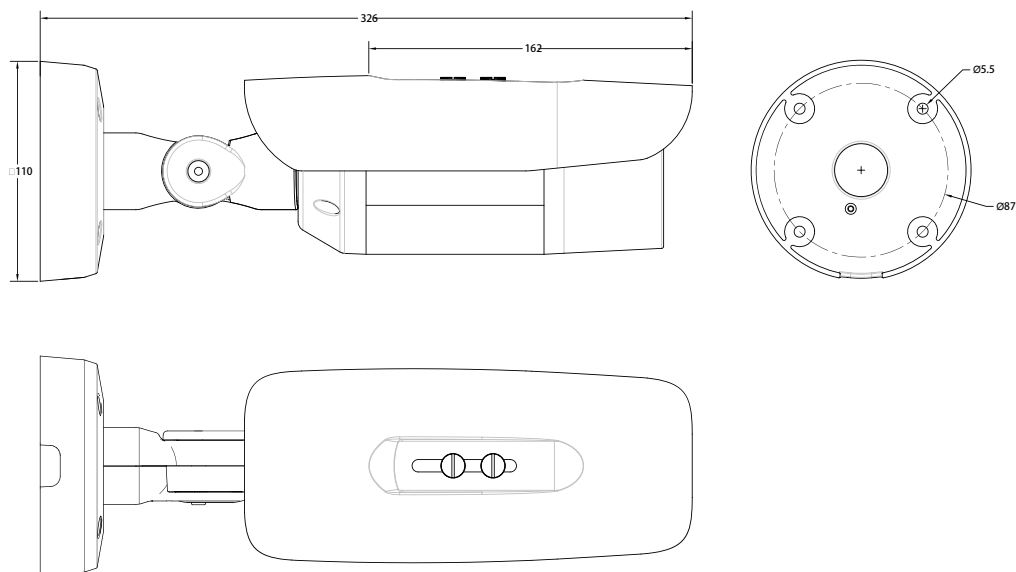
\* Listed resolutions are only selectable options. It does not mean that all streams can work at their maximum resolution at the same time.

## AVAILABLE MODEL

## TC-C32TS SPEC: I5/A/E/2.8-12MM

# Tiandy

## DIMENSIONS (Unit: mm)



## ACCESSORIES



A36  
Pole Mount



A22  
Junction Box

DISTRIBUTED BY



**Tiandy Technologies Co.,Ltd.**

Email: [sales@tiandy.com](mailto:sales@tiandy.com)  
Website: [en.tiandy.com](http://en.tiandy.com)

Tel: +86-22-58596065  
Fax: +86-22-58596048