

# Tiandy



TC-C38SS Spec: I5/E/A/2.8-12mm

# 8MP Starlight Motorized IR Turret Camera (2.8-12mm)



## KEY FEATURES

- Motorized Lens 2.8-12mm
- Up to 3840x2160@20fps
- S+265/H.265/H.264/M-JPEG
- Min. illumination Color: 0.002Lux@F1.8
- Smart IR, IR Range: 50m
- Support Video Analytics
- Support Human/Vehicle Classification
- Plugin Free
- Operating Conditions -35°~65°, 0~95% RH
- POE, IP66



**Tiandy Technologies Co.,Ltd.**

Email: [sales@tiandy.com](mailto:sales@tiandy.com)

Tel: +86-22-58596065

Website: [en.tiandy.com](http://en.tiandy.com)

Fax: +86-22-58596048

## SPECIFICATIONS

Camera	
Image Sensor	1/2.8" CMOS
Signal System	PAL/NTSC
Min. Illumination	Color: 0.002Lux@ (F1.8, ACG ON), B/W: 0Lux with IR
Shutter Time	1s to 1/100,000s
Day & Night	Dual IR Cut Filter with Auto Switch
Wide Dynamic Range	120dB
Angle Adjustment	pan 0~340°, tilt 0~75°, roate 0~360°
Lens	
Lens Type	Motorized
Focus	2.8-12mm
Lens Mount	Φ14
Aperture	F1.8~F3.3, Fixed
FOV	Horizontal field of view: 101.7°~32.3°
Illuminator	
IR LEDs	2
IR Range	Up to 50m
Wavelength	850nm
White LEDs	N/A
Compression Standard	
Video Compression	S+265/H.265/H.264/M-JPEG
Video Bit Rate	32Kbps~16Mbps
Audio Compression	G.711A/G.711U/ADPCM_D/AAC_LC
Audio Bit Rate	8K~48Kbps
Image	
Max. Resolution	3840x2160
Main Stream	PAL: 20fps (3840×2160), 25fps (3072×1728, 2560×1440, 1920×1080, 1280×960, 1280×720)
	NTSC: 20fps (3840×2160), 30fps (3072×1728, 2560×1440, 1920×1080, 1280×960, 1280×720)
Sub Stream	PAL: 25fps (704×576, 704×288, 640×360, 352×288)
	NTSC: 30fps (704×480, 704×240, 640×360, 352×240)
Third Stream	720P
Image Setting	Saturation, brightness, contrast, sharpness, adjustable by client software or web browser
Image Enhancement	BLC/3D DNR/HLC/Corridor Format
ROI	Support 7 fixed region of coding
OSD	16×16, 24×24,32×32, 48×48, 64×64, 96×96, adaptable size, Letters Such as Week, Date, Time, Total 5 Regions
Picture Overlay	Yes
Privace Mask	Yes
Smart Defog	Yes
Feature	
Alarm Trigger	Event Input, Event Output, Motion Detection, Mask Alarm, Disk Full, Disk R/W Error, IP Address Conflict, MAC Address Conflict, FTP Server Exception
Video Analytics	Tripwire, Double Tripwire, Perimeter, Object Abandon, Object Lost, Loitering, Running, Parking, Crowded, Video Abnormal, Audio Abnormal, Heat Map



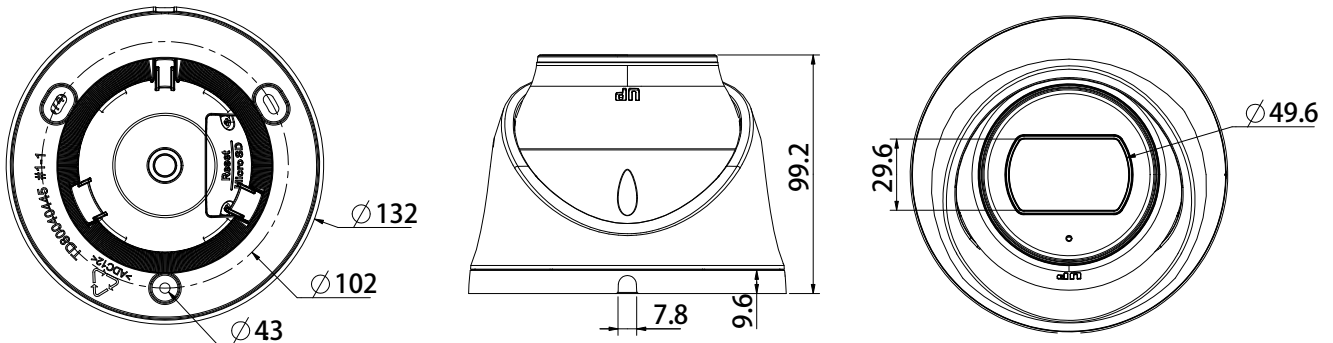
<b>Early Warning(EW)</b>	N/A
<b>Intelligent Coding</b>	N/A
<b>Intelligent Image</b>	N/A
<b>Intelligent Alarm</b>	N/A
<b>Network</b>	
<b>ANR</b>	Yes, auto store video in SD card when NVR disconnected, and upload video to NVR when resumed connection (Only Support Tiandy ANR NVR)
<b>Protocols</b>	TCP/IP, ICMP, HTTP, HTTPS, DHCP, DNS, DDNS, MULTICAST, UPnP, FTP, IPV4, NTP, RTSP, SMTP, IGMP, QoS, PPPoE
<b>System Compatibility</b>	ONVIF (PROFILE S/T), SDK, CGI, P2P
<b>Remote Connection</b>	≤7
<b>Client</b>	Easy7, EasyLive
<b>Web Version</b>	Web6
<b>Interface</b>	
<b>Communication Interface</b>	1 RJ45 10M/ 100M self adaptive Ethernet port
<b>Audio</b>	1/1, Mic in
<b>Alarm</b>	2/1
<b>Reset Button</b>	Yes
<b>On-board storage</b>	Built-in MicroSD card slot, up to 128 GB
<b>General</b>	
<b>Firmware Version</b>	-
<b>Web Client Language</b>	15 languages English, Russian, Spanish, Korean, Italian, Turkish, Simple Chinese, Traditional Chinese, Thai, French, Polish, Dutch, Hebraism, Farsi, Arabic
<b>Operating Conditions</b>	-35°C ~ 65°C, 0 ~ 95% RH
<b>Power Supply</b>	DC12V±20%/PoE
<b>Power Consumption</b>	MAX: 8.5W(12V) MAX: 10W(POE)
<b>Protection</b>	IP66, IK10
<b>Heater</b>	N/A
<b>Dimensions</b>	Φ132×100 mm (Φ5.2*3.94 inch)
<b>Weight</b>	0.65Kg (1.43lb)

\* Listed resolutions are only selectable options. It does not mean that all streams can work at their maximum resolution at the same time.

## AVAILABLE MODEL

### TC-C38SS SPEC: I5/E/A/2.8-12MM

## DIMENSIONS



Unit: mm

## ACCESSORIES



TC-P548BM Spec: V1  
Junction Box



A35  
Corner Mount



A36  
Pole Mount



811  
Junction Box



A20  
Pendant Mount



A21  
Corner Pole Mount



A23  
Mount Adapter



A28  
Wall Mount

DISTRIBUTED BY



**Tiandy Technologies Co.,Ltd.**

Email: [sales@tiandy.com](mailto:sales@tiandy.com)  
Website: [en.tiandy.com](http://en.tiandy.com)

Tel: +86-22-58596065  
Fax: +86-22-58596048