

# Tiandy



TC-C33KN Spec: I3/E/Y/2.8mm

# 3MP Fixed IR Dome Camera



Lite Series

## KEY FEATURES

- Metal+Plastic Housing
- Up to 2304X1296@20fps
- S+265/H.265/H.264
- Min. illumination Color: 0.02Lux@F2.0
- Smart IR, IR Range: 30m
- Support tripwire and perimeter
- Built-in Mic, SD Card Slot, Reset Button
- Operating Conditions -35°~65°, 0~95% RH
- POE, IP67, IK10



**Tiandy Technologies Co.,Ltd.**

Email: [sales@tiandy.com](mailto:sales@tiandy.com)

Tel: +86-22-58596178

Website: [en.tiandy.com](http://en.tiandy.com)

Fax: +86-22-58596048



## SPECIFICATIONS

Camera	
Image Sensor	1/2.7" CMOS
Signal System	PAL/NTSC
Min. Illumination	Color: 0.02Lux@ (F2.0, ACG ON), B/W: 0Lux with IR
Shutter Time	1s to 1/100,000s
Day & Night	Dual IR Cut Filter with Auto Switch
Wide Dynamic Range	Digital WDR
Angle Adjustment	pan 0~330°, tilt 0~75°, roate 0~350°
Lens	
Lens Type	Fixed
Focus	2.8mm
Lens Mount	M12
Aperture	F2.0, Fixed
FOV	Horizontal field of view: 100.1
Illuminator	
IR LEDs	8
IR Range	Up to 30m
Wavelength	850nm
White LEDs/Warmlights	N/A
Compression Standard	
Video Compression	S+265/H.265/H.264
Video Bit Rate	32Kbps~6Mbps
Audio Compression	G.711/G.711U/ADPCM
Audio Bit Rate	8K~48Kbps
Image	
Max. Resolution	2304X1296
Main Stream	PAL: 20fps (2304x1296), 25fps (1920 x1080, 1280x720, 704x576, 640x480) NTSC: 20fps (2304x1296), 30fps (1920 x1080,1280x720, 704x480, 640x480)
Sub Stream	PAL: 25fps (704x576, 704x288, 640x360, 352x288) NTSC: 30fps (704x480, 704x240, 640x360, 352x240)
Third Stream	N/A
Image Setting	Saturation, brightness, contrast, sharpness, adjustable by client software or web browser
Image Enhancement	BLC/3D DNR/HLC
ROI	N/A
OSD	16x16, 32x32, 48x48, adaptable size, Letters Such as Week, Date, Time, Total 3 Regions
Picture Overlay	N/A
Privacy Mask	Yes, 4 regions
Smart Defog	Yes
Feature	
Alarm Trigger	Motion Detection, Mask Alarm, IP Address Conflict
Video Analytics	Tripwire, Perimeter
Early Warning(EW)	N/A



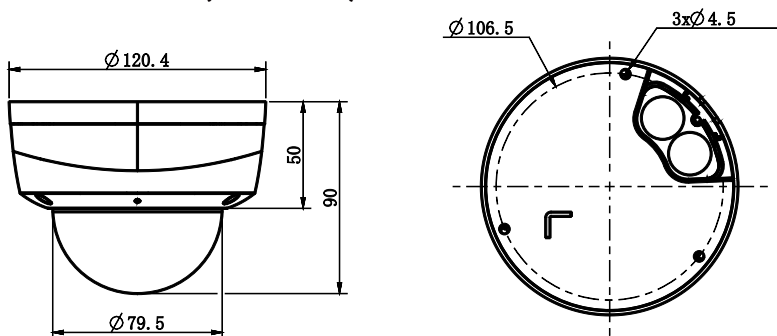
Network	
ANR	Yes, auto store video in SD card when NVR disconnected, and upload video to NVR when resumed connection (Only Support Tiandy ANR NVR)
Protocols	TCP/IP, HTTP, FTP, DHCP, DNS, DDNS, MULTICAST, IPV4, NTP, UDP, Telnet
System Compatibility	ONVIF (PROFILE S/T/G), SDK, P2P(Mutually exclusive with Profile G)
Remote Connection	≤7
Client	Easy7, EasyLive
Web Version	Web5
Interface	
Communication Interface	1 RJ45 10M/ 100M self adaptive Ethernet port
Audio I/O	Mic in
Alarm I/O	N/A
Reset Button	Yes
On-board storage	Built-in MicroSD card slot, up to 512 GB
General	
Firmware Version	-
Web Client Language	15 languages English, Russian, Spanish, Korean, Italian, Turkish, Simple Chinese, Traditional Chinese, Thai, French, Polish, Dutch, Hebraism, Arabic, Vietnamese
Operating Conditions	-35°C ~ 65°C, 0 ~ 95% RH
Power Supply	DC 12V±25%, PoE (802.3af)
Power Consumption	MAX: 5W (12V) MAX: 6W (PoE)
Protection	IP67, IK10, Lightning protection, surge protection and voltage transient protection meets EN 55035:2017
Heater	N/A
Dimensions	Φ120×90mm (Φ4.72×3.54inch)
Weight	0.4Kg (0.88lb)

\* Listed resolutions are only selectable options. It does not mean that all streams can work at their maximum resolution at the same time.

## AVAILABLE MODEL

### TC-C33KN SPEC: I3/E/Y/2.8MM

## DIMENSIONS (Unit: mm)



## ACCESSORIES



A36  
Pole Mount



A35  
Corner Mount



811  
Junction Box



A29  
Wall Mount



A25  
Corner/Pole Mount



A20  
Pendant Mount

DISTRIBUTED BY



**Tiandy Technologies Co.,Ltd.**

Email: [sales@tiandy.com](mailto:sales@tiandy.com)  
Website: [en.tiandy.com](http://en.tiandy.com)

Tel: +86-22-58596178  
Fax: +86-22-58596048