

Tiandy



TC-C32MP Spec: I5/A/E/Y/M/H/2.7-13.5mm/V4.0

2MP Super Starlight Motorized IR Dome Camera



Pro Series

KEY FEATURES

- Full Metal Housing
- Motorized Lens 2.7-13.5mm
- Up to 1920x1080@30fps
- S+265/H.265/H.264/M-JPEG
- Min. illumination Color: 0.0004Lux@F1.2
- Smart IR, IR Range: 50m
- Support Video Analytics
- Support Human/Vehicle Classification
- Support Face Capture Mode
- Built-in Mic, audio I/O 1/1, alarm I/O 2/1
- Plugin Free
- Operating Conditions -35°C~65°C, 0~95% RH
- POE, IP67, IK10



Tiandy Technologies Co.,Ltd.

Email: sales@tiandy.com

Tel: +86-22-58596178

Website: en.tiandy.com

Fax: +86-22-58596048



SPECIFICATIONS

Camera	
Image Sensor	1/2.8" CMOS
Signal System	PAL/NTSC
Min. Illumination	Color: 0.0004Lux@ (F1.2, ACG ON), B/W: 0Lux with IR
Shutter Time	1s to 1/100,000s
Day & Night	Dual IR Cut Filter with Auto Switch
Wide Dynamic Range	120dB
Angle Adjustment	pan 0~330°, tilt 0~75°, rotate 0~350°
Lens	
Lens Type	Motorized
Focus	2.7-13.5mm
Lens Mount	Φ14
Aperture	F1.2~F2.2, DC
FOV	Horizontal field of view: 103.9° ~ 35.3°
Illuminator	
IR LEDs	18
IR Range	Up to 50m
Wavelength	850nm
White/Warmlight LEDs	N/A
Compression Standard	
Video Compression	S+265/H.265/H.264/M-JPEG
Video Bit Rate	32Kbps~8Mbps
Audio Compression	G.711A/G.711U/ADPCM_D/AAC_LC
Audio Bit Rate	8K~48Kbps
Image	
Max. Resolution	1920x1080
Main Stream	PAL: 25fps (1920x1080, 1280x720, 704x576, 640x480) NTSC: 30fps (1920x1080, 1280x720, 704x480, 640x480)
Sub Stream	PAL: 25fps (704x576, 704x288, 640x360, 352x288) NTSC: 30fps (704x480, 704x240, 640x360, 352x240)
Third Stream	PAL: 25fps(704x576, 704x288, 352x288) NTSC: 30fps(704x480, 704x240, 352x240)
Image Setting	Saturation, brightness, contrast, sharpness, adjustable by client software or web browser
Image Enhancement	BLC/3D DNR/HLC/Corridor Format
ROI	Support 8 fixed regions of coding
OSD	16x16, 32x32, 48x48, 64x64, adaptable size, Letters Such as Week, Date, Time, Total 8 Regions
Picture Overlay	Yes
Privacy Mask	Yes, 4 regions
Smart Defog	Yes
Feature	
Alarm Trigger	Event Input, Event Output, Motion Detection, Mask Alarm, Disk Full, Disk R/W Error, IP Address Conflict, MAC Address Conflict, FTP Server Exception, Voltage Abnormal
Video Analytics	Tripwire, Double Tripwire, Perimeter, Object Abandon, Object Lost, Loitering, Running, Parking, Crowded, People Counting, Crowded, On Duty Detection, Video Abnormal, Audio Abnormal, Heatmap, Face Capture(Face Detection), Human/Vehicle Classification
Early Warning(EW)	N/A



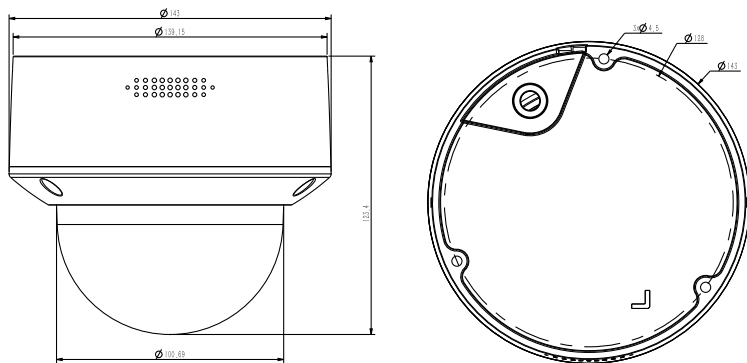
Network	
ANR	Yes, auto store video in SD card when NVR disconnected, and upload video to NVR when resumed connection (Only Support Tiandy ANR NVR)
Protocols	TCP/IP, ICMP, HTTP, HTTPS, DHCP, DNS, DDNS, RTP, RTSP, RTCP, PPPoE, MULTICAST, UPnP, FTP, IPV4, NTP, SMTP, IGMP, 802.1x, QoS, IPV6, ARP, UDP, SNMP, SSL, SIP, Telnet, SNTP, RTMP, SFTP, NFS
System Compatibility	ONVIF (PROFILE S/T/G), SDK, Milestone, CGI, P2P
Remote Connection	≤7
Client	Easy7, EasyLive
Web Version	Web6
Interface	
Communication Interface	1 RJ45 10M/ 100M self adaptive Ethernet port, RS 485
Audio	1/1, Mic in
Alarm	2/1
Reset Button	Yes
On-board storage	Built-in Micro SD card slot, up to 512 GB
General	
Firmware Version	-
Web Client Language	15 languages English, Russian, Spanish, Korean, Italian, Turkish, Simple Chinese, Traditional Chinese, Thai, French, Polish, Dutch, Hebraism, Arabic, Vietnamese
Operating Conditions	-35°C ~ 65°C, 0 ~ 95% RH
Power Supply	DC12V±25%/PoE
Power Consumption	MAX: 7.5W (12V) MAX: 9W (PoE)
Protection	IP67, IK10, Lightning protection, surge protection and voltage transient protection meets EN 55035:2017
Heater	N/A
Dimensions	Φ143×124mm (Φ5.63×4.88inch)
Weight	0.95Kg (2.09lb)

* Listed resolutions are only selectable options. It does not mean that all streams can work at their maximum resolution at the same time.

AVAILABLE MODEL

TC-C32MP SPEC: I5/A/E/Y/M/H/2.7-13.5MM/V4.0

DIMENSIONS (Unit: mm)



ACCESSORIES



A28
Wall Mount



TC-P54BM Spec: V3
Junction Box

DISTRIBUTED BY



Tiandy Technologies Co.,Ltd.

Email: sales@tiandy.com

Tel: +86-22-58596178

Website: en.tiandy.com

Fax: +86-22-58596048